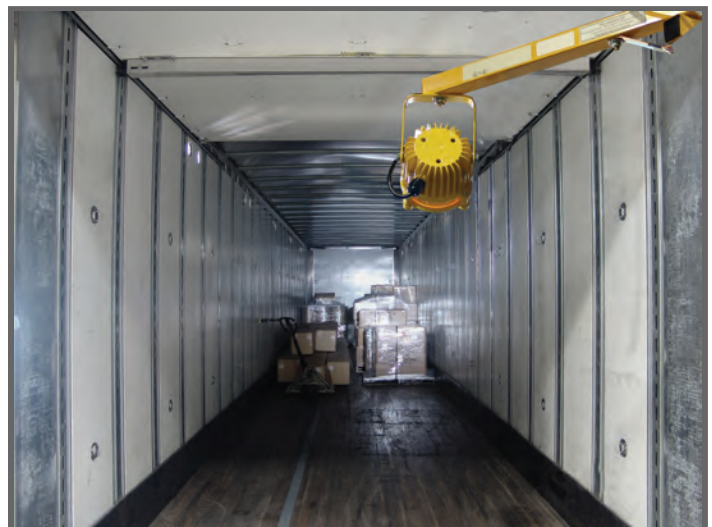
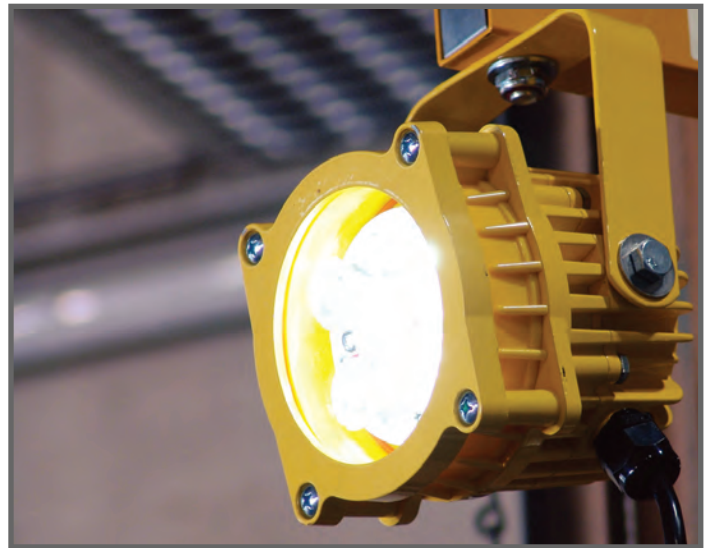


LED DockLight

LED DockLights offer **energy efficient** high output bright light in a durable exterior. Non-corrosive and UL rated for wet locations, the LED DockLight is suited for the toughest indoor and outdoor applications. Complete with impact resistant, optically clear acrylic lens and 5 high-intensity LED emitters with custom focusing optics, the LED DockLight provides a consistent quality and low maintenance lighting solution helping you be **green**.

FEATURES

- Sustainable lighting with a powerful output
- Industrial luminaire with 14 watt power consumption
- 50,000 hours rated life reducing maintenance significantly
- Durable exterior to hold up to the toughest environments
- Non-corrosive and safe to use outdoors
- Safety yellow for maximum visibility
- 10 foot wear resistant cord with hooded male plug
- UL rated for wet locations
- Attaches directly to standard dock light arms for easy retrofit
- Purchase the kit that includes your choice of a 24", 42" or 60" arm



How much can you save with Energy Focus?

Visit www.energyfocusinc.com to use our Energy Savings Calculator



LED DockLight

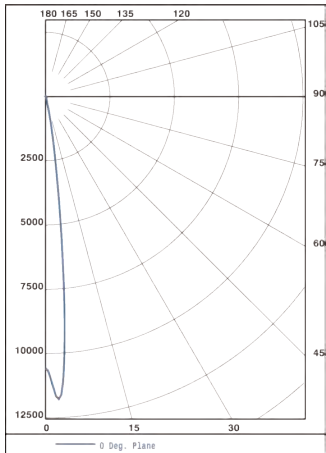


LED Life of 50,000 hours
14 Watt, Durable Exterior

The powerful LED DockLight delivers light all the way back into a 53' trailer

	10'	20'	30'	40'	45'	48'	53'
LED Docklight CBCP: 10,571 cd	105	20	12	6.6	5.2	4.6	3.8
Quartz Halogen	28	14	8	5			
Incandescent	15	5	3	2			

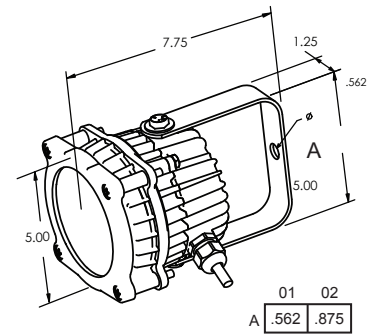
Beam Angle: FWHM (Full Width Half Max)
Light Output in FC



COMPARISON

Note: based on 4160hrs/yr and 10¢ kWh

Incandescent	vs.	LED DockLight
300	Energy Consumption (Watt)	14
1,248	Annual Energy Consumption (kwh)	58
\$125	Annual Energy Cost	\$6
\$52	Annual Maintenance Cost	\$0
\$177	Total Annual Operating Cost	\$6
2,000	Average Bulb Life (hrs.)	50,000
25	Number of Bulbs in 12 years	1
\$2,122	Total Cost over 12 years	\$70
0	Annual Energy Savings (kwh)	2,022
\$0	Total Annual Cost Savings	\$265
\$0	12 year Cost Savings	\$3,175



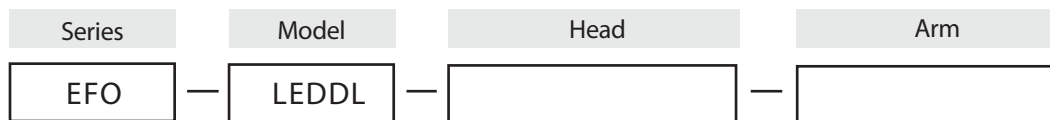
• Testing performed by LTL in accordance with IED LM-79-08
• IES format photometrics are available at www.energyfocusinc.com

EXTEND YOUR REACH : Compatible DockLight Arms

- Strong, non-corrosive single strut steel arm with on/off switch and female receptacle
- Available in 24", 42" and 60"
- 42" and 60" versions with articulated arm
- Wear resistant 3 conductor AC cord fits directly into standard outlet



ORDERING CODE:



01: Strut Arm Mount, with plug
02: Trunnion Mount, no plug

24: Arm Length 24"
42: Arm Length 42", Articulated
60: Arm Length 60", Articulated

*Arm option only available with 01 Head

